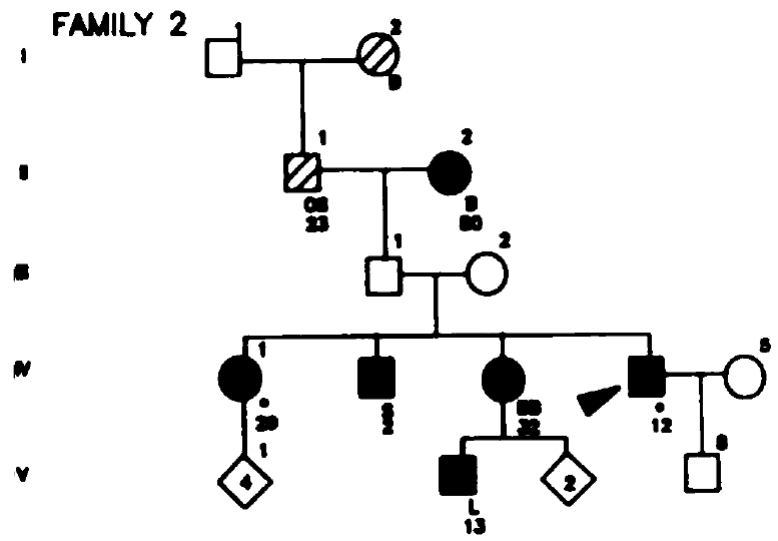
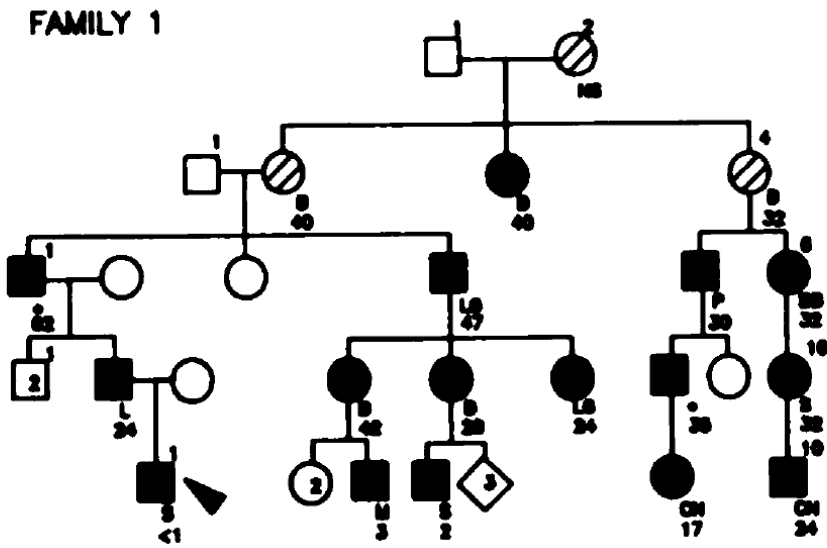


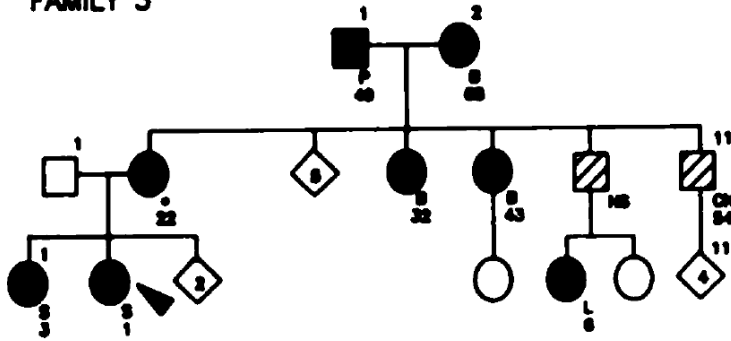
# Original Li-Fraumeni kindreds



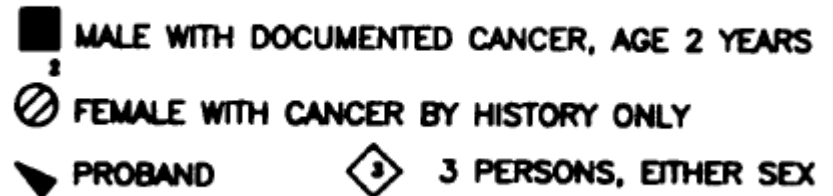
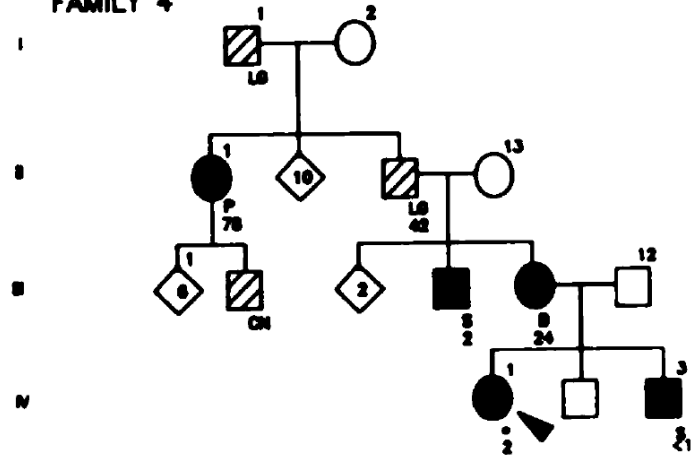
- MALE WITH DOCUMENTED CANCER, AGE 2 YEARS
- FEMALE WITH CANCER BY HISTORY ONLY
- ◄ PROBAND
- ◇ 3 PERSONS, EITHER SEX

# Original Li-Fraumeni kindreds

FAMILY 3

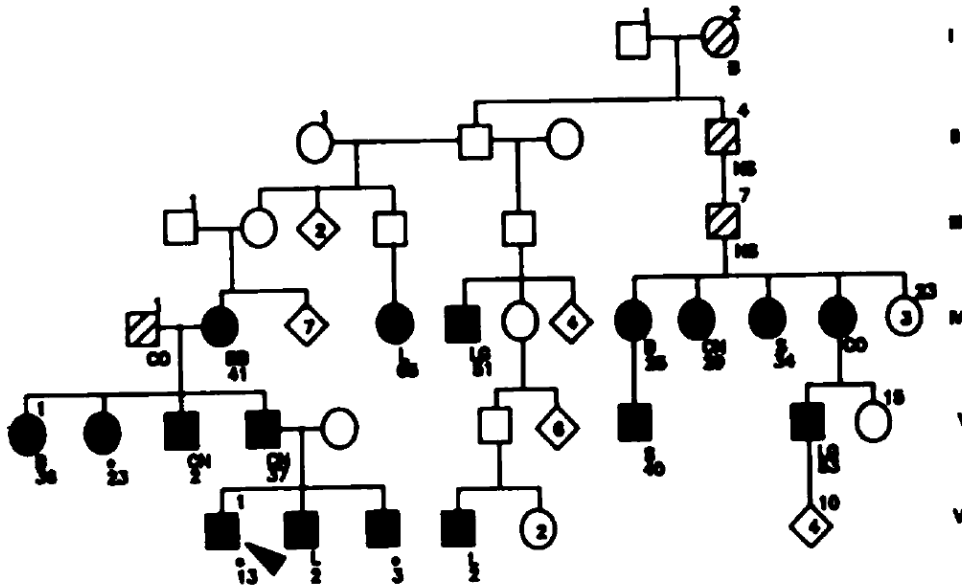


FAMILY 4

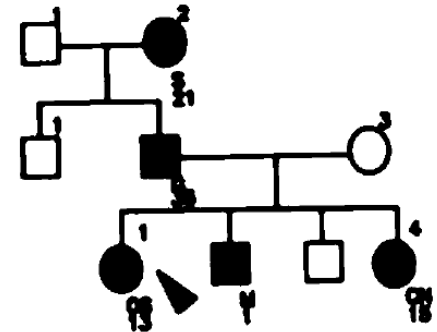


# Original Li-Fraumeni kindreds

FAMILY 5



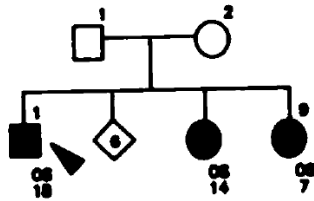
FAMILY 6



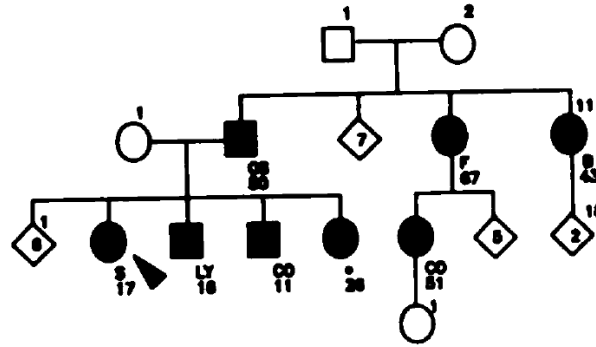
- MALE WITH DOCUMENTED CANCER, AGE 2 YEARS
- FEMALE WITH CANCER BY HISTORY ONLY
- ▼ PROBAND
- ◇ 3 PERSONS, EITHER SEX

# Original Li-Fraumeni kindreds

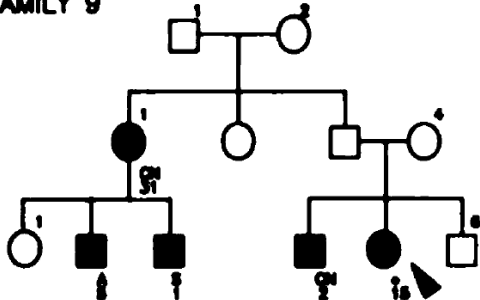
FAMILY 7



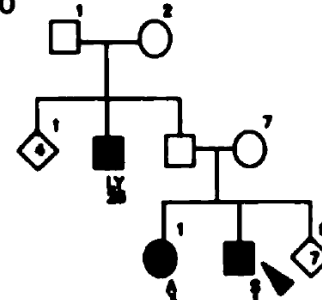
FAMILY 8



FAMILY 9

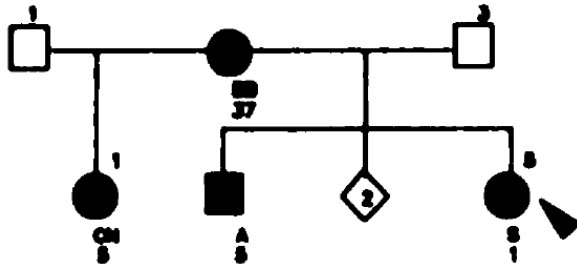


FAMILY 10

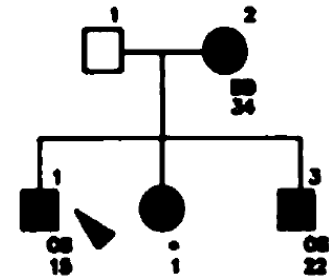


# Original Li-Fraumeni kindreds

FAMILY 11



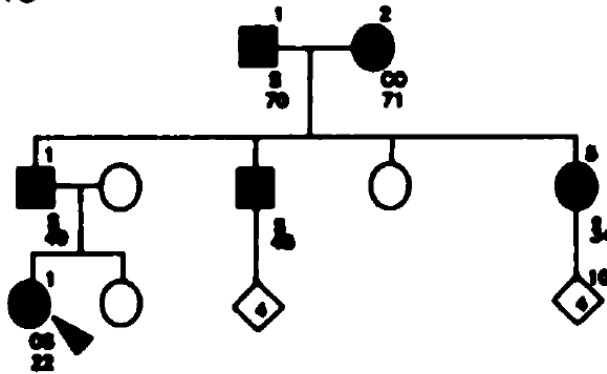
FAMILY 12



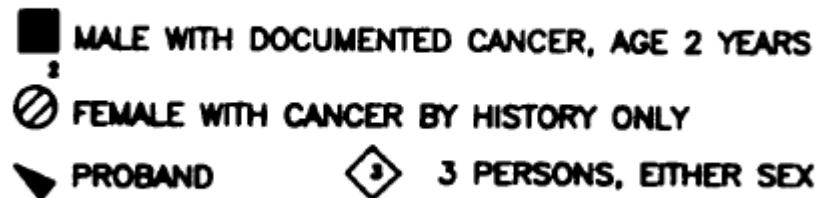
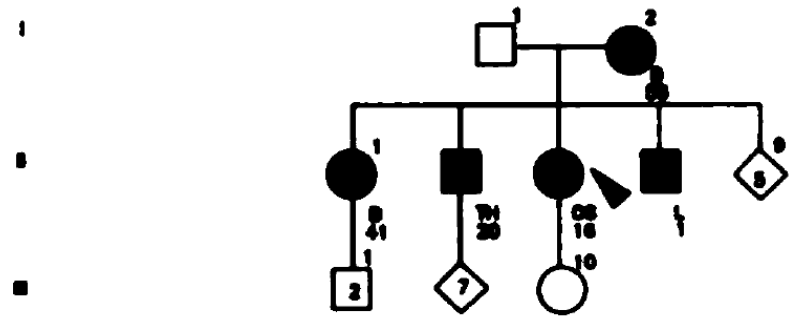
- MALE WITH DOCUMENTED CANCER, AGE 2 YEARS
- <sub>2</sub> FEMALE WITH CANCER BY HISTORY ONLY
- ◄ PROBAND
- ◇<sub>3</sub> 3 PERSONS, EITHER SEX

# Original Li-Fraumeni kindreds

FAMILY 13

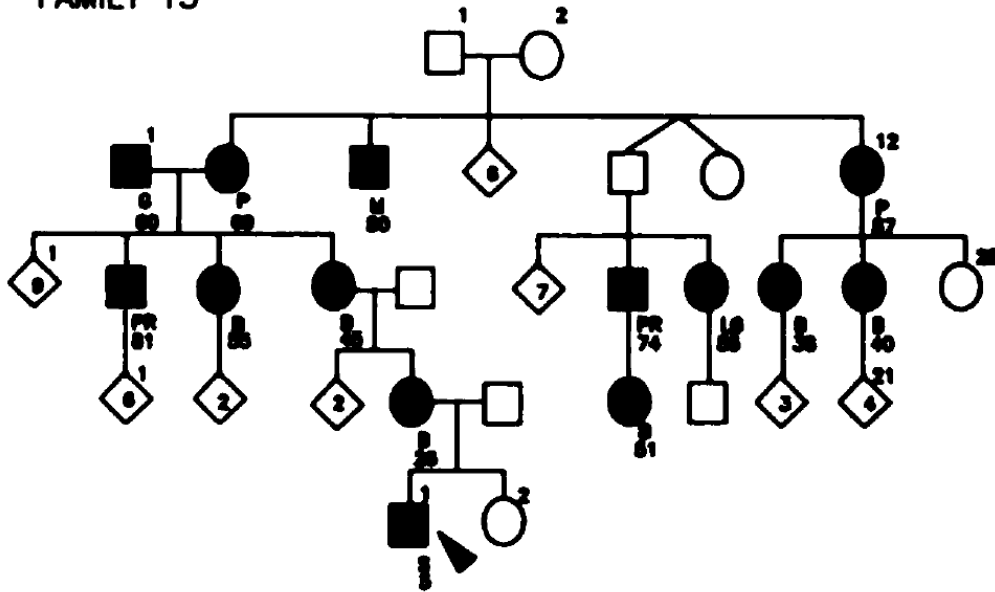


FAMILY 14

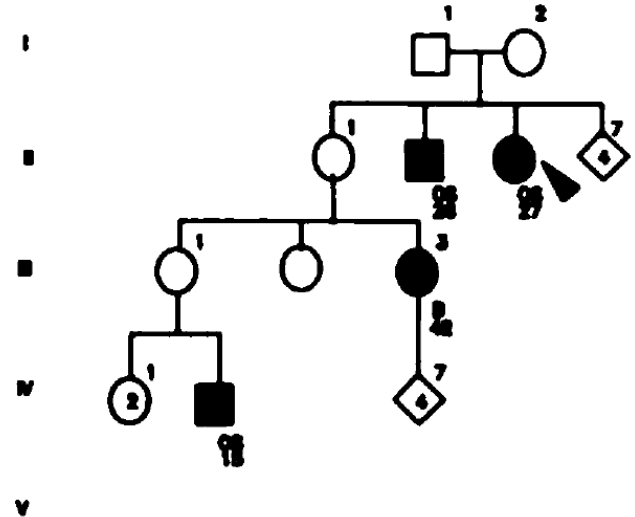


# Original Li-Fraumeni kindreds

FAMILY 15



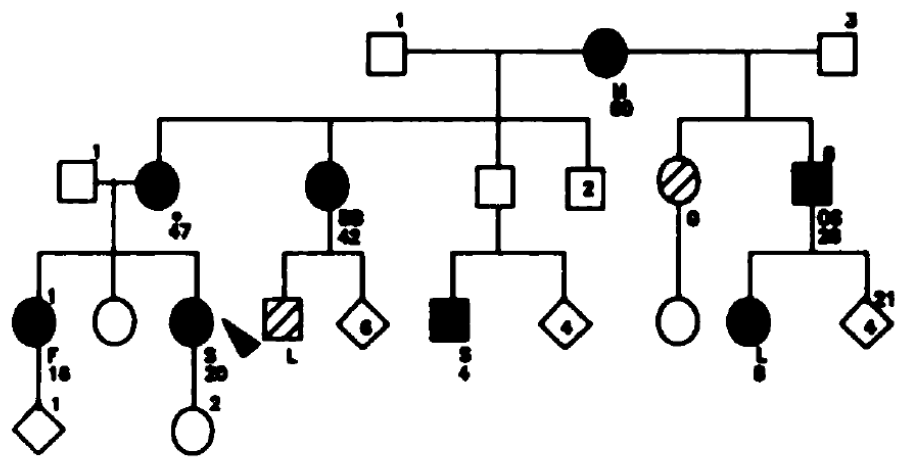
FAMILY 16



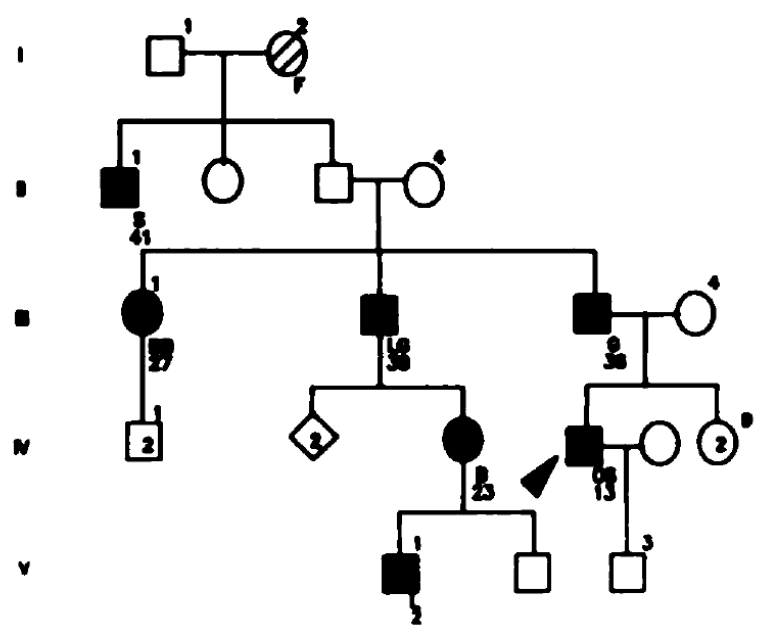
- MALE WITH DOCUMENTED CANCER, AGE 2 YEARS
- ⊙ FEMALE WITH CANCER BY HISTORY ONLY
- ▲ PROBAND
- ◇ 3 PERSONS, EITHER SEX

# Original Li-Fraumeni kindreds

FAMILY 17



FAMILY 18

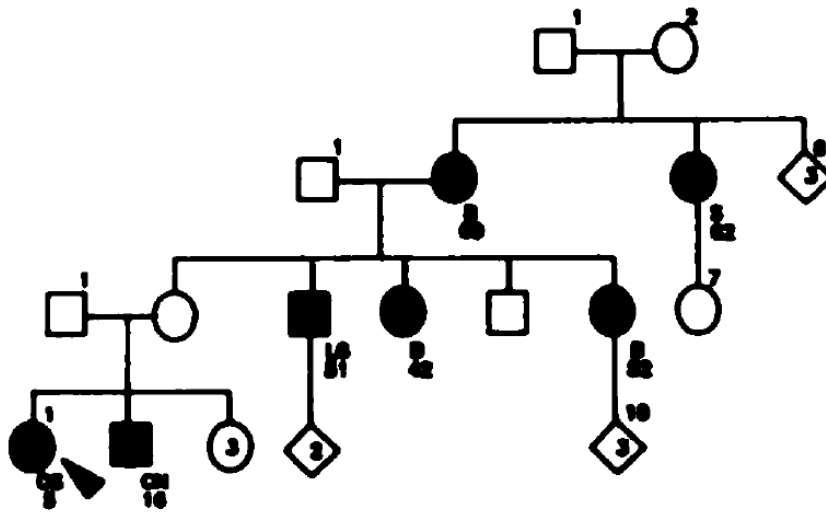


- MALE WITH DOCUMENTED CANCER, AGE 2 YEARS
- ◐ FEMALE WITH CANCER BY HISTORY ONLY
- ◄ PROBAND
- ◊ 3 PERSONS, EITHER SEX

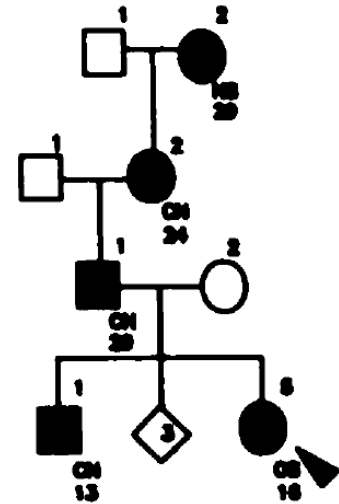


# Original Li-Fraumeni kindreds

FAMILY 19



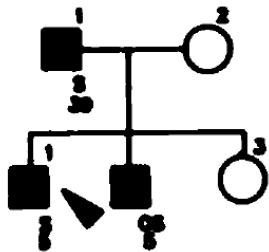
FAMILY 20



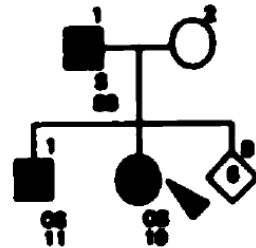
- MALE WITH DOCUMENTED CANCER, AGE 2 YEARS
- ◐ FEMALE WITH CANCER BY HISTORY ONLY
- ◑ PROBAND
- ◇ 3 PERSONS, EITHER SEX

# Original Li-Fraumeni kindreds

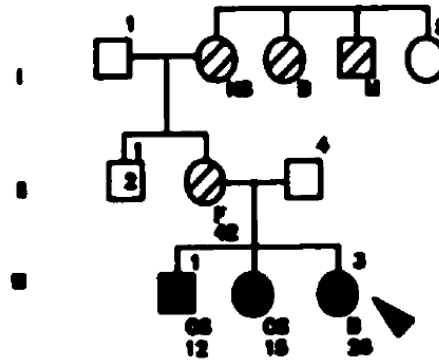
FAMILY 21



FAMILY 22



FAMILY 23



FAMILY 24

