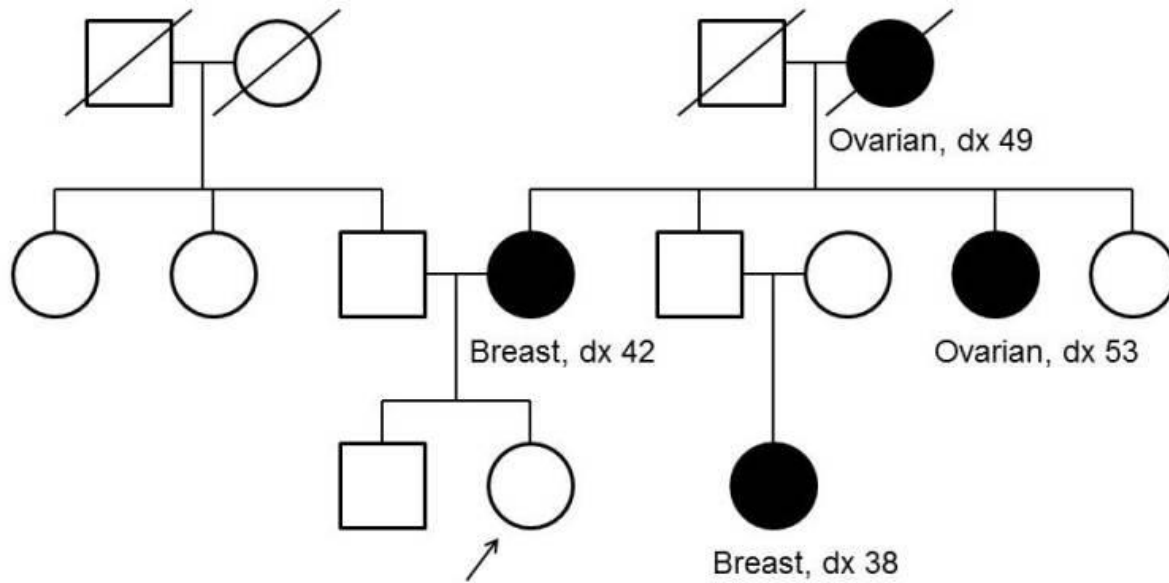
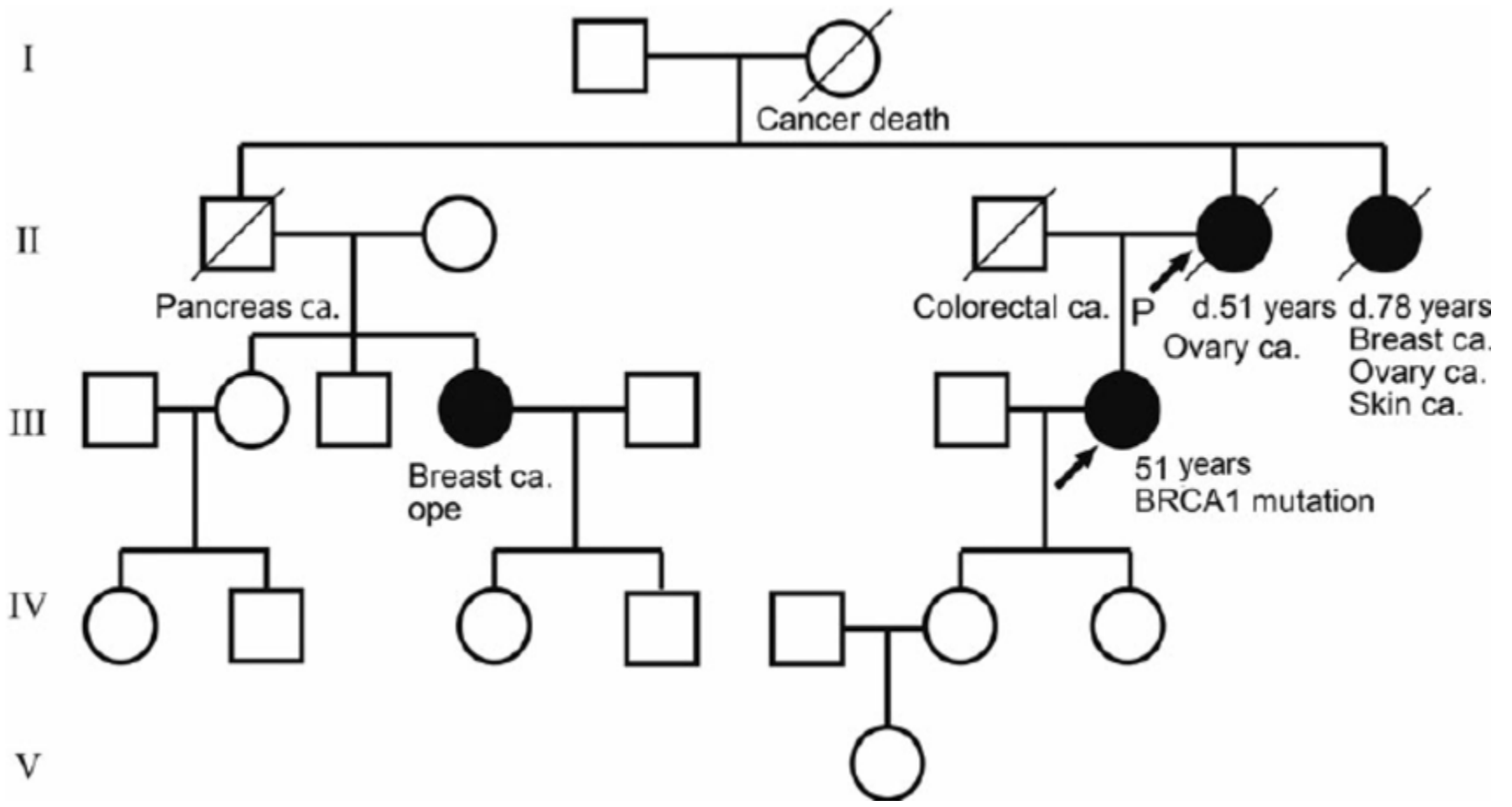
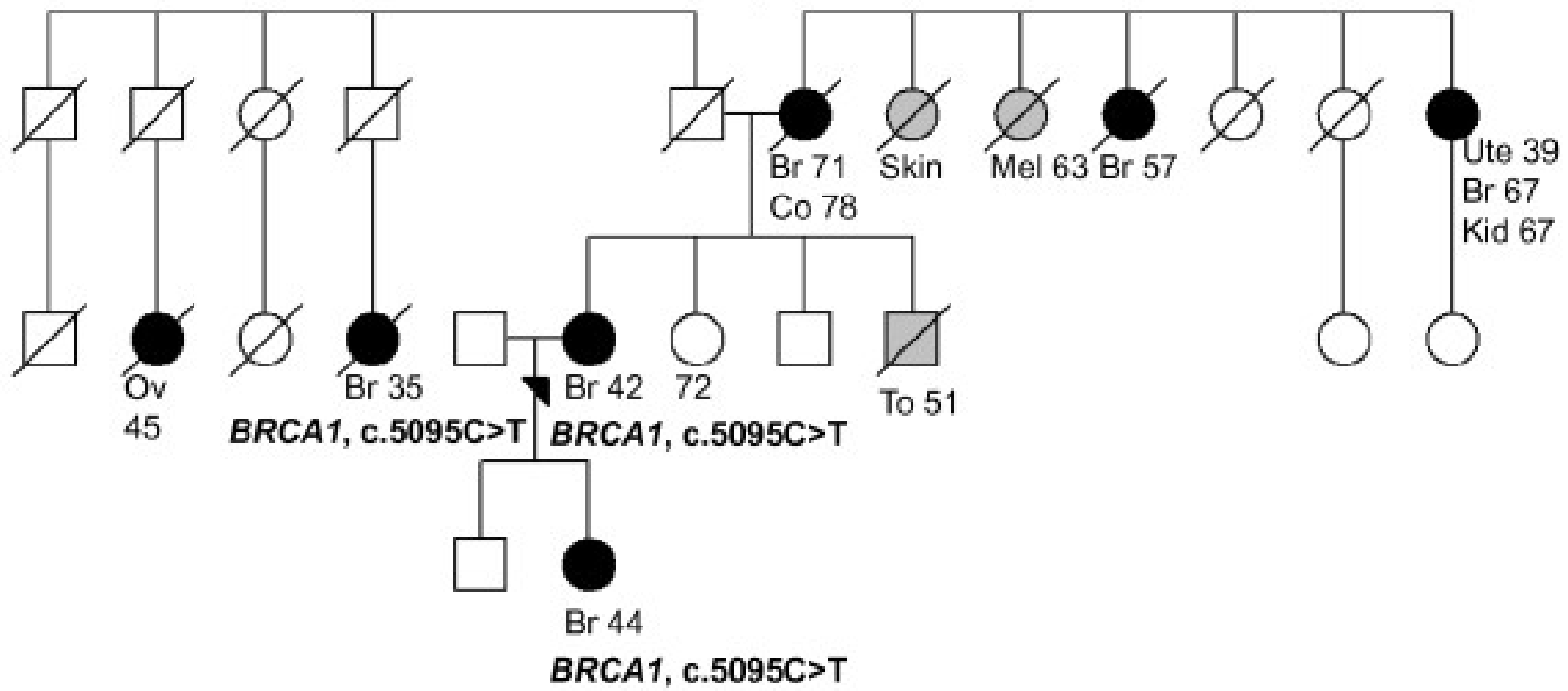


Classic *BRCA1* Pedigree

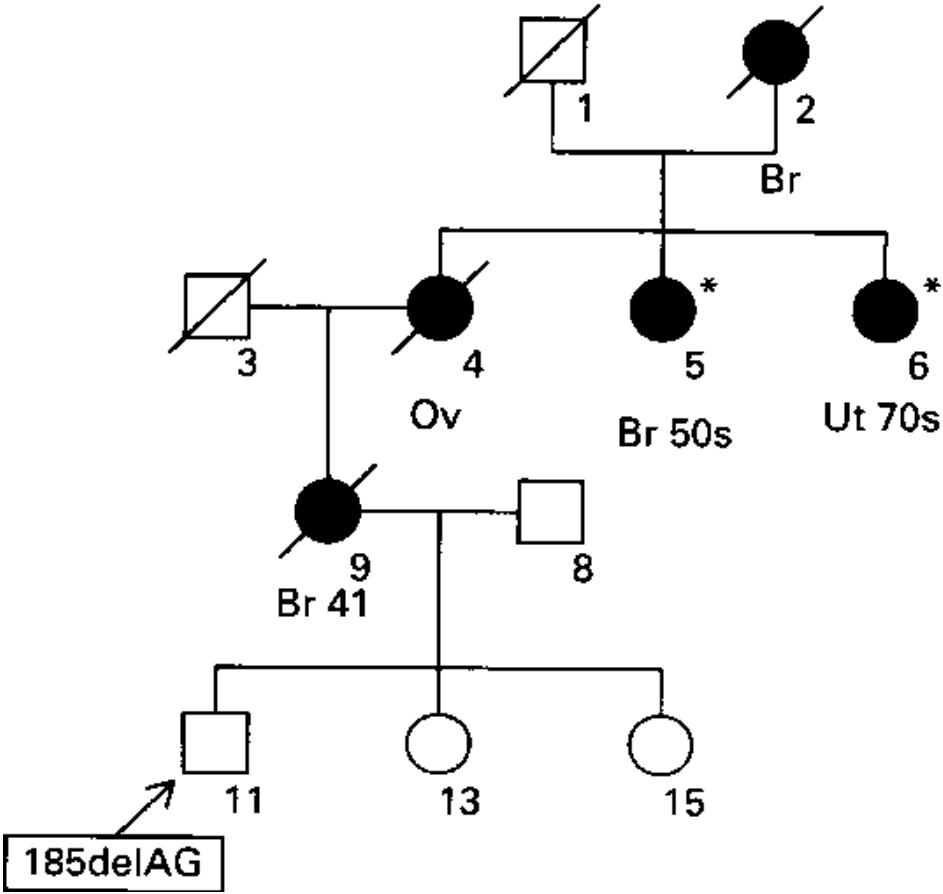




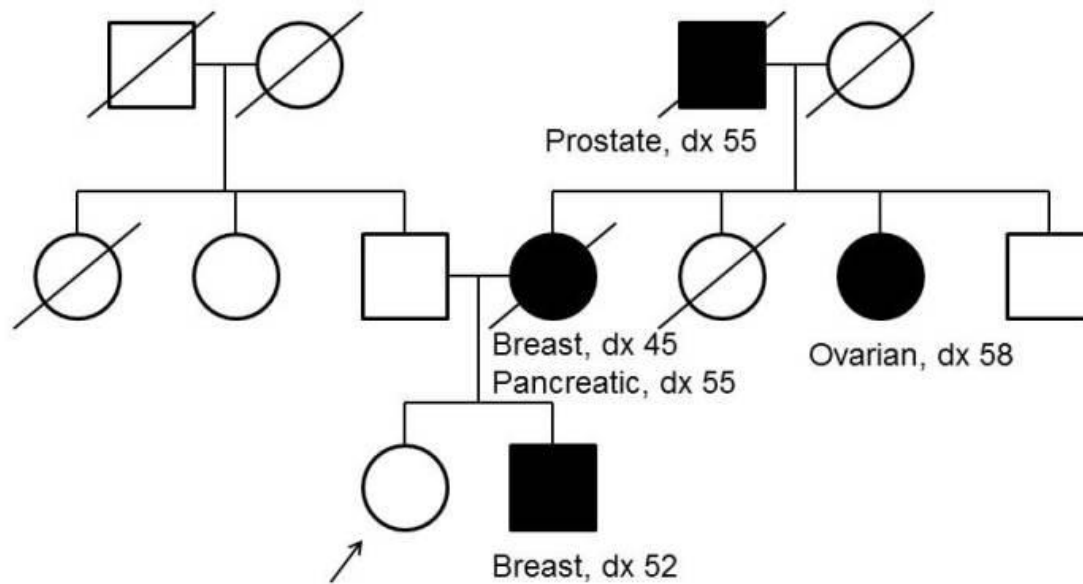
Family 249



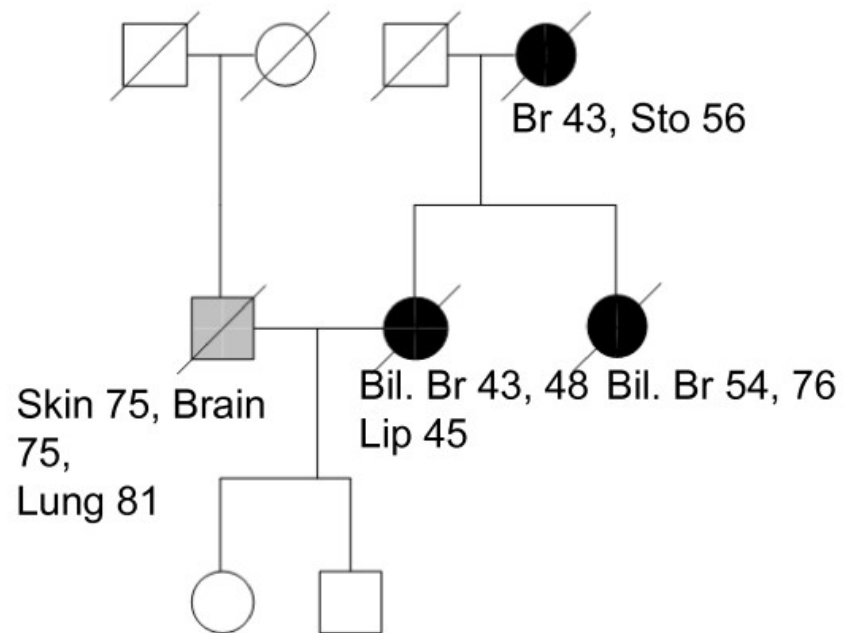
Family 291



Classic *BRCA2* Pedigree



Family 005



▼
BRCA2, c.8182G>A
BRCA2, c.10234A>G

